

Cut Out Protection >>>

Cut out protection

PRODUCT CONTENTS

- 50 Cut Out Protection
- 51 Technical data

Cut Out Protection

Fuse Base

Rated voltage: 415V

Standard: IEC60269-3 BS1361



Item	In (A)	Order No.	Price	Order No.	Price	Packing
CUT OUT 1P		Bakelite		Risen		
22mm	30A	5901 000		5901 100		2/36
22mm	60/80A	5901 001		5901 101		
30mm	100A	5901 002		5901 102		



Item	In (A)	Order No.	Price	Order No.	Price	Packing
CUT OUT 1P+N		Bakelite		Risen		
22mm	30A	5902 000		5902 100		1/36
22mm	60/80A	5902 001		5902 101		
30mm	100A	5902 002		5902 102		



CUT OUT Fuse of Plastic		Back wiring		Front wiring		
1 Pole for Balck Color	In(A)	Order No.	Price	Order No.	Price	Packing
22mm	Type IIa	60/80/100A	5901 221	5901 222		1/50
30mm	Type IIb	100A	5901 301	5901 302		

1 Pole for Fransparent		In(A)	Order No.	Price	Order No.	Price	Packing
22mm	Type IIa	60/80/100A	5901 223		5901 224		1/50
30mm	Type IIb	100A	5901 303		5901 304		

Cut Out Protection

Fuse Link

Rated voltage: 415V ;Rated Breaking Capacity:80KA

Standard: IEC60269-3 BS1361



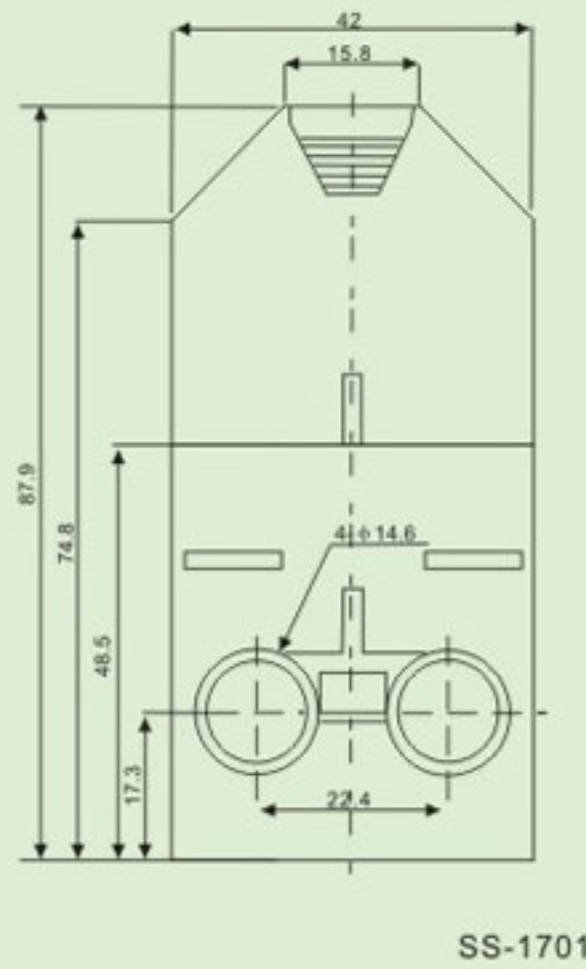
Item	In (A)	Order No.	Price	Packing
Fuse-link for CUT OUT				
22×57 ME	5(6)	5910 005		10/250
	10	5910 010		
	15	5910 015		
	20	5910 020		
	30(32)	5910 030		
	60	5910 060		
	80	5910 080		
	100	5910 100		
30×57 MF	60	5911 060		10/200
	80	5911 080		
	100	5911 100		

Cut Out Protection

Technical data

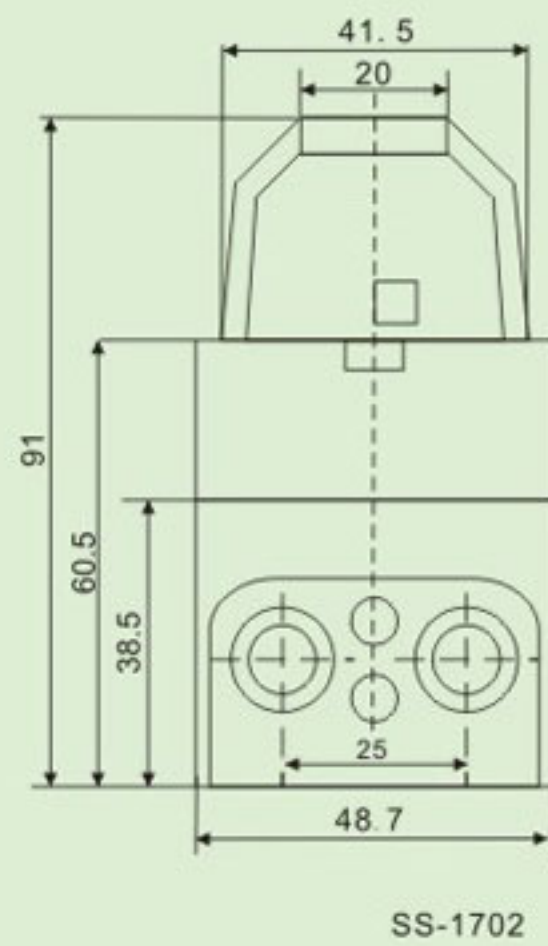
Dimensions

1P



SS-1701

Plastic



SS-1702

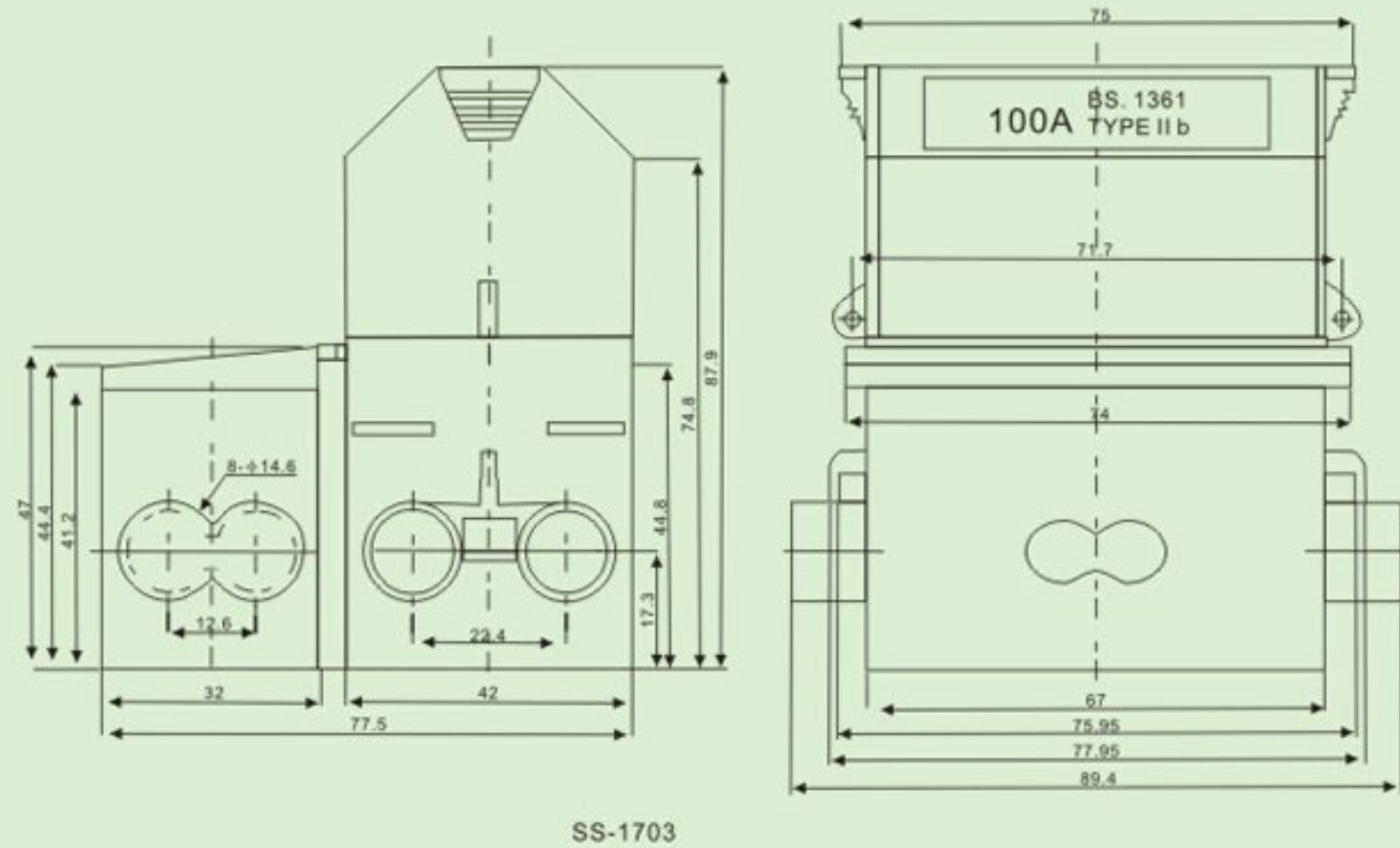
Bakelite or Risen

Cut Out Protection

Technical data

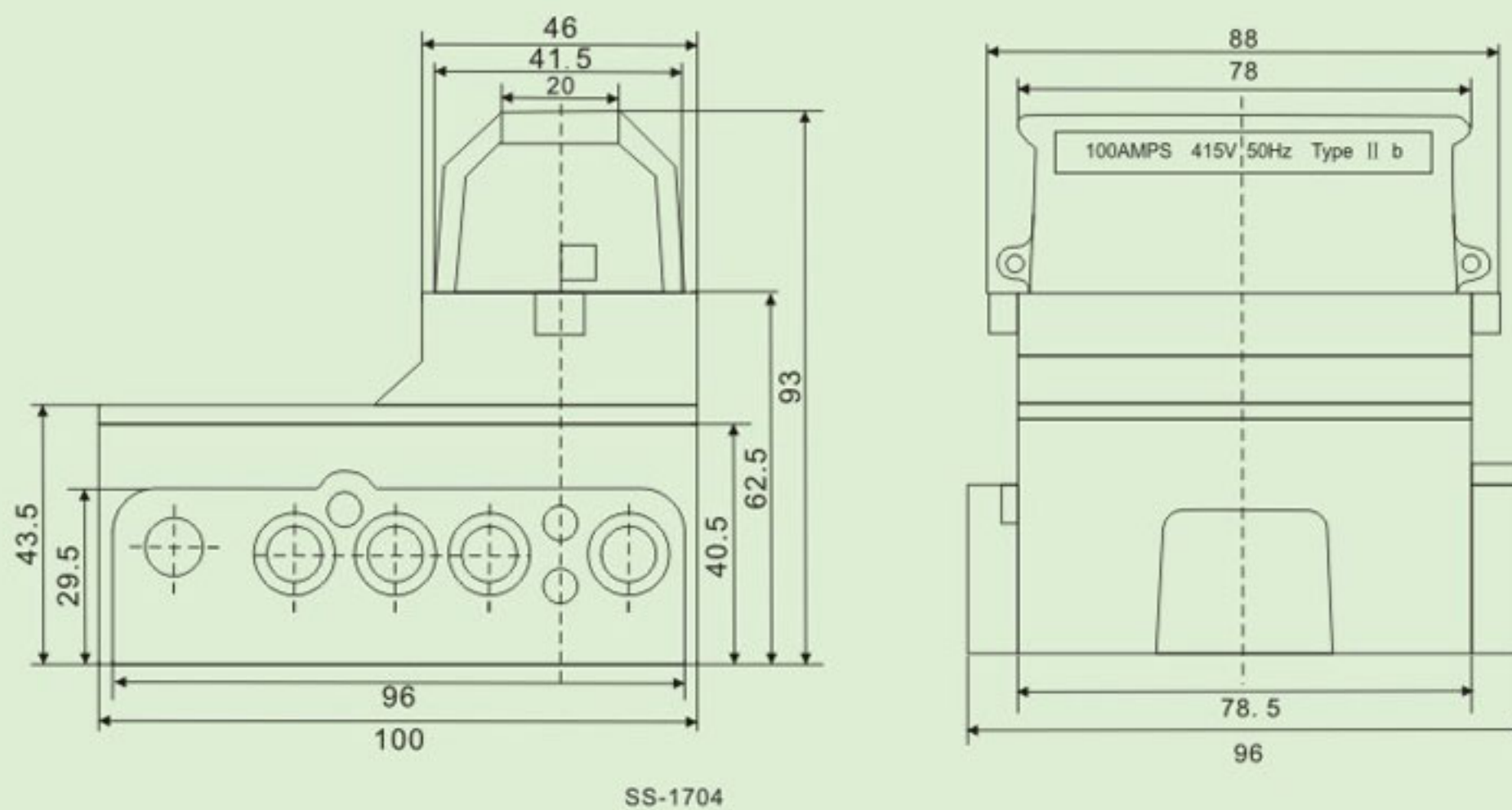
Dimensions

1P+N



SS-1703

Plastic



SS-1704

Bakelite or Risen